



HEATRAN
HEAT TRANSFER TECHNOLOGY



The specialist group
for heat transfer equipments

Scope of Work

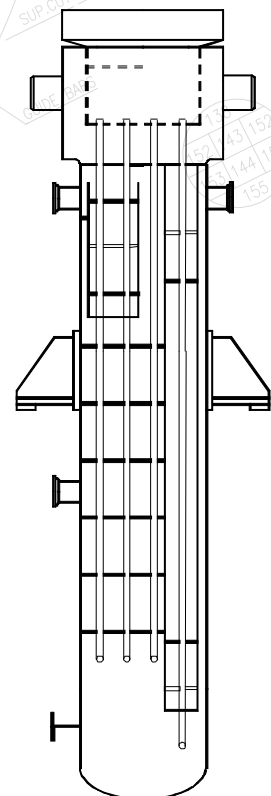
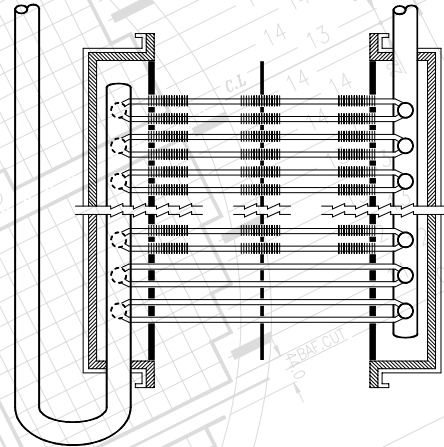
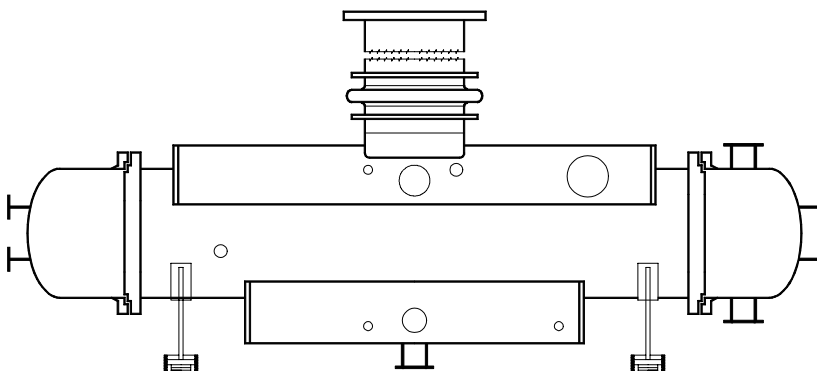
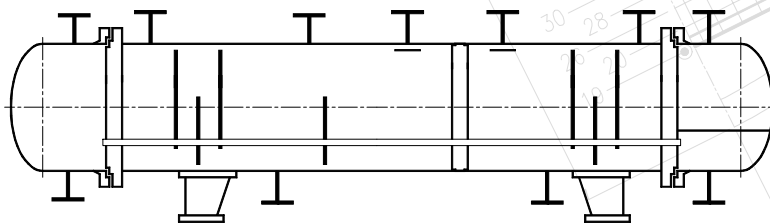
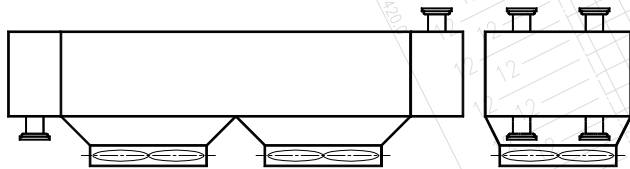
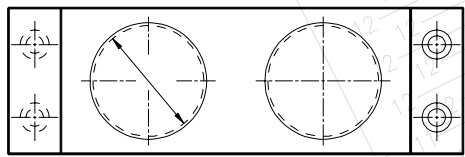
- Thermal rating of heat transfer equipment
- Preparing data sheet for heat transfer equipment

Application

- Shell and Tube Type Heat Exchanger
Heater / Cooler / Condenser / Reboiler including thermosiphon
Reflux condenser
Falling film evaporator
- Air cooled heat exchanger (induced, forced and natural draft types)
- Feed water heater (high pressure, low pressure, district heating)
- Steam surface condenser (after steam turbine)
Inter and after condenser (after surface condenser)
- Heat recovery steam generator, economizer, super-heater
- Waste heat boiler, superheater, economizer and air preheater
- Inter and after condensers for steam jet vacuum system
- Inter and after coolers for vapor compressing station

Special Service

- Field trouble shooting
- Heat transfer related calculation
- Technical backup service for client





HEAT TRANSFER TECHNOLOGY

HEATRAN

A802 SIGMAⅡ Building, 18 Kumi-dong
Boondang-ku, Sunnam-si, Kyonggi-do
KOREA, 463-500

Tel : 82-342-726-0037

Fax : 82-342-726-0040

E-mail : heatran@heatran.com

Internet : <http://www.heatran.com>

HEATRAN

18

Ⅱ A 802
463-500

: 0342) 726-0037

: 0342) 726-0040

E-mail : heatran@heatran.com

(Internet) <http://www.heatran.com>

Basic(thermal) design of heat transfer equipment

Shell and tube type heat exchanger

Air cooled heat exchanger

Heat recovery steam generator

Steam superheater and economizer

Feed water heater

Steam surface condenser

Condensers for vacuum system

Coolers for compressor